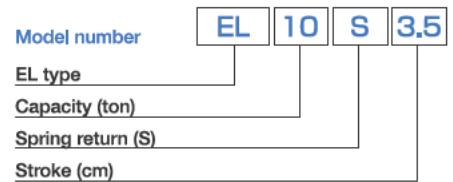


# EL type Low Profile Jacks

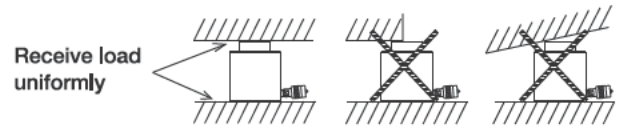
S (Spring return) type



**Features**

- Piston rod is plated with hard chrome.
- Piston rod seal protects against dirt.
- Flat, compact design.
- Great for fine adjustments in confined areas or machinery installation in extremely narrow spaces.

- Receive load over the entire area of piston head and base, as shown below. Lateral loads may cause damage to the jack.

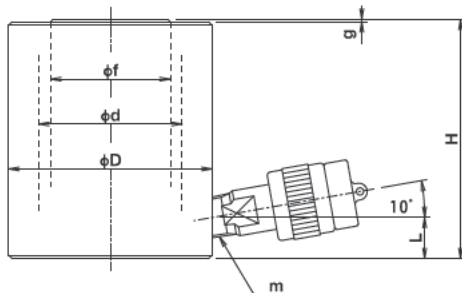


EL10S3.5



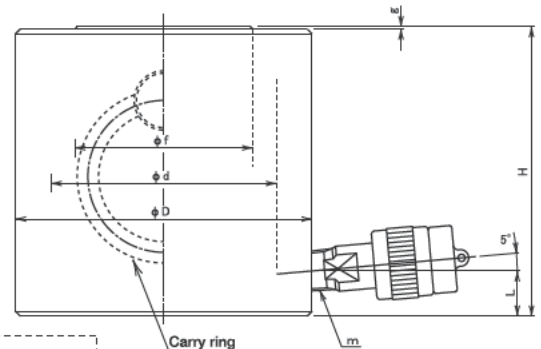
EL50S6

**Dimensional drawing**



Applicable models  
EL10S3.5  
EL20S4.5

**Dimensional drawing**



Applicable models  
EL30S6  
EL50S6  
EL100S5.5

(Coupler is parallel to the base.)

**Specifications**

Items	Model Unit	EL10S3.5	EL20S4.5	EL30S6	EL50S6	EL100S5.5
Capacity	kN(tf)	100 (10)	200 (20)	300 (30)	500 (50)	1000 (100)
Stroke	mm	35	45	60	60	55
Closed height (H)	mm	86	100	120	122	141
Cyl. outer dia. (D)	mm	70	85	100	125	170
Cyl. bore dia. (d)	mm	43	60	75	95	135
Cyl. effective area	cm <sup>2</sup>	14.52	28.27	44.18	70.88	143.14
Oil capacity	mℓ	51	127	265	425	787
Weight approx.	kg	2.4	3.8	6	10.5	22
Rod dia. (f)	mm	38	50	57	75	120
	(g) mm	1	1	1	1	1
Port size (m)	—	NPT3/8				
Height to coupler (L)	mm	16	17	19	19	26
Pumps applicable	Hand pump	TWA-0.3 or TWA-0.7		TWA-0.7		TWA-0.9
	Electric pump	NEX-2 or GH1/2				
Included coupler		B-6JG				

Note) Receive load vertically to avoid lateral load.