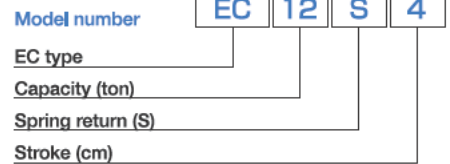


EC type Hollow Jacks

S (Spring return) type

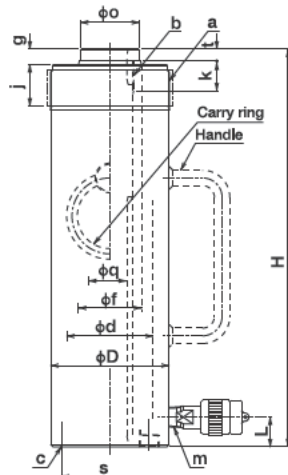


Features

- This jack has a hollow in the center of the piston. Useful in pre-stressed concrete construction, such as high-rise buildings, bridges, power plants, tunnels, and other applications.
- Piston rod is plated with hard chrome.
- Piston rod seal protects against dirt.
- Screw-on saddle.
- Inner surface of piston rod is threaded.
- Allowable lateral load is 1/20 of lifting capacity.



Dimensional drawing

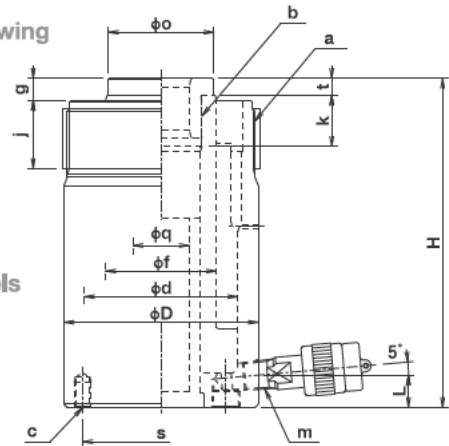


Applicable models

- EC20S15 (With handle)
- EC30S15 (With handle)
- EC50S7 (With carry ring)
- EC60S15 (With carry ring)
- EC90S7.5 (With carry ring)



Dimensional drawing



Applicable models

- EC12S4
- EC12S7.5
- EC20S5
- EC30S6

Specifications

Items	Model Unit	EC12S4	EC12S7.5	EC20S5	EC20S15	EC30S6	EC30S15	EC50S7	EC60S15	EC90S7.5
Capacity	kN(tf)	120 (12)		200 (20)		300 (30)		500 (50)	600 (60)	900 (90)
Stroke	mm	40	75	50	150	60	150	70	150	75
Closed height (H)	mm	142	195	173	335	193	343	242	335	280
Cyl. outer dia. (D)	mm	Max.75 (70)		100		114		150	163	214
Cyl. bore dia. (d)	mm	55		73		90		117.52	130	170
Center hole dia. (q)	mm	20		28.5		33		42	55	80
Cyl. effective area	cm ²	17.60		30.51		47.71		80.20	88.55	131.95
Oil capacity	mℓ	71	132	153	458	287	716	562	1330	990
Weight approx.	kg	4	5	9	15	12	21	25	38	55
Collar screw dia. (a)	mm	M70×2		M100×2		M110×2		M150×3	M160×3	—
Collar screw length (j)	mm	30		35		40		50	60	—
Rod screw dia. (b)	mm	M30×1.5		M40×1.5		M48×1.5		M65×2	M78×2	M115×2
Rod screw length (k)	mm	20		25		30		35	40	45
Base screw dia. (c)	mm	2-M8×12 ℓ		2-M10×12 ℓ		4-M10×15 ℓ		4-M12×20 ℓ	4-M12×16 ℓ	4-M16×20 ℓ
	(s) mm	58		82		92		120	135	180
Rod dia. (f)	mm	40		53		65		90	100	136
Saddle dia. (o)	mm	38		50		62		85	96	132
	(t) mm	7		10		10		12	12	15
	(g) mm	10		13		13		15	15	20
Port size (m)	mm	NPT3/8								
Height to coupler (L)	—	19		19	25	19	27	32	22	27
Pumps applicable	Hand pump	TWA-0.3 or TWA-0.7			TWA-0.7		TWA-0.9	TWA-0.7	TWA-2.3	TWA--1.3
	Electric pump	NEX-2 or GH1/2						GH1		
Included coupler		B-6JG								