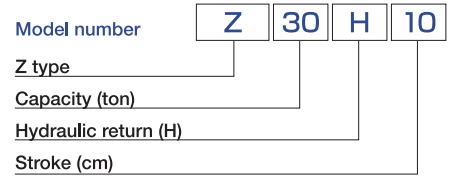


Z type Power Jacks

H (Hydraulic return) type



Features

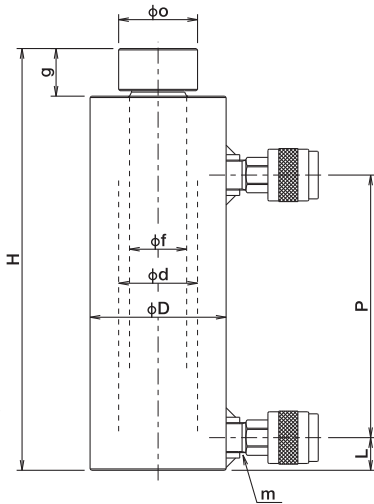
- Piston rod is plated with hard chrome.
- Special steel was used to make every part, allowing the jack to be lightweight and compact.
- Used in precision molding presses, nuclear power plants, shipyards, diamond processing, and other super-high pressure applications.
- Returns by hydraulic pressure.
- Allowable lateral load is 50% of lifting capacity.



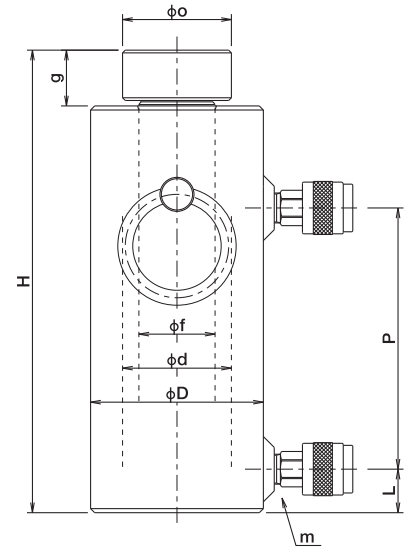
Z50H15



Z100H15



Applicable models
Z30H10
Z50H15



Applicable models
Z75H15~Z500H20

Specifications

Items	Model Unit	Model														
		Z30H10	Z50H15	Z75H15	Z100H10	Z100H15	Z150H10	Z150H15	Z200H5	Z200H10	Z200H15	Z200H20	Z250H20	Z300H20	Z500H20	
Capacity	kN (tf)	300 (30)	500 (50)	750 (75)	1000 (100)	1500 (150)	2000 (200)						2500 (250)	3000 (300)	5000 (500)	
Stroke	mm	100	150	150	100	150	100	150	50	100	150	200	200	200	200	
Closed height (H)	mm	240	310	330	290	340	320	370	290	340	390	440	445	460	540	
Cyl. outer dia. (D)	mm	85	100	112	127		160		185			210	225	290		
Cyl. bore dia. (d)	mm	45	58	70	80		100		115			130	140	180		
Cyl. effective area	cm ²	15.90	26.42	38.48	50.27		78.54		103.87			132.73	153.94	254.47		
Oil capacity	mℓ	160	400	580	503	754	786	1,180	520	1,040	1,560	2,100	2,660	3,080	5,100	
Weight approx.	kg	9	17	24	25	28	44	52	56	66	75	85	105	125	240	
Rod dia. (f)	mm	33.25	42	50	56		71		85			95	102	130		
Head dia. (o)	mm	45	58	70	80		100		115			130	140	170		
	(g)	mm	23	35	37	41	45		48			50	52	60		
Port size (m)	—	M22×1.5														
Height to coupler (L)	mm	24		30	32		38		40			45	50	70		
Distance between ports (P)	mm	139	193	193	142	192	147	197	97	147	197	247	250	250	262	
Pumps applicable	Hand pump	TWAZ-0.7P				TWAZ-1.3P		TWAZ-2.3P	TWAZ-0.7P	TWAZ-1.3P	TWAZ-2.3P		—	—	—	
	Electric pump	VZ2 or VZ5														
Included coupler		BZ-4J														

Note) TWAZ-※P pumps require a manual, directional control valve.