

Outlet version
Available option
Control option
Model
PTO

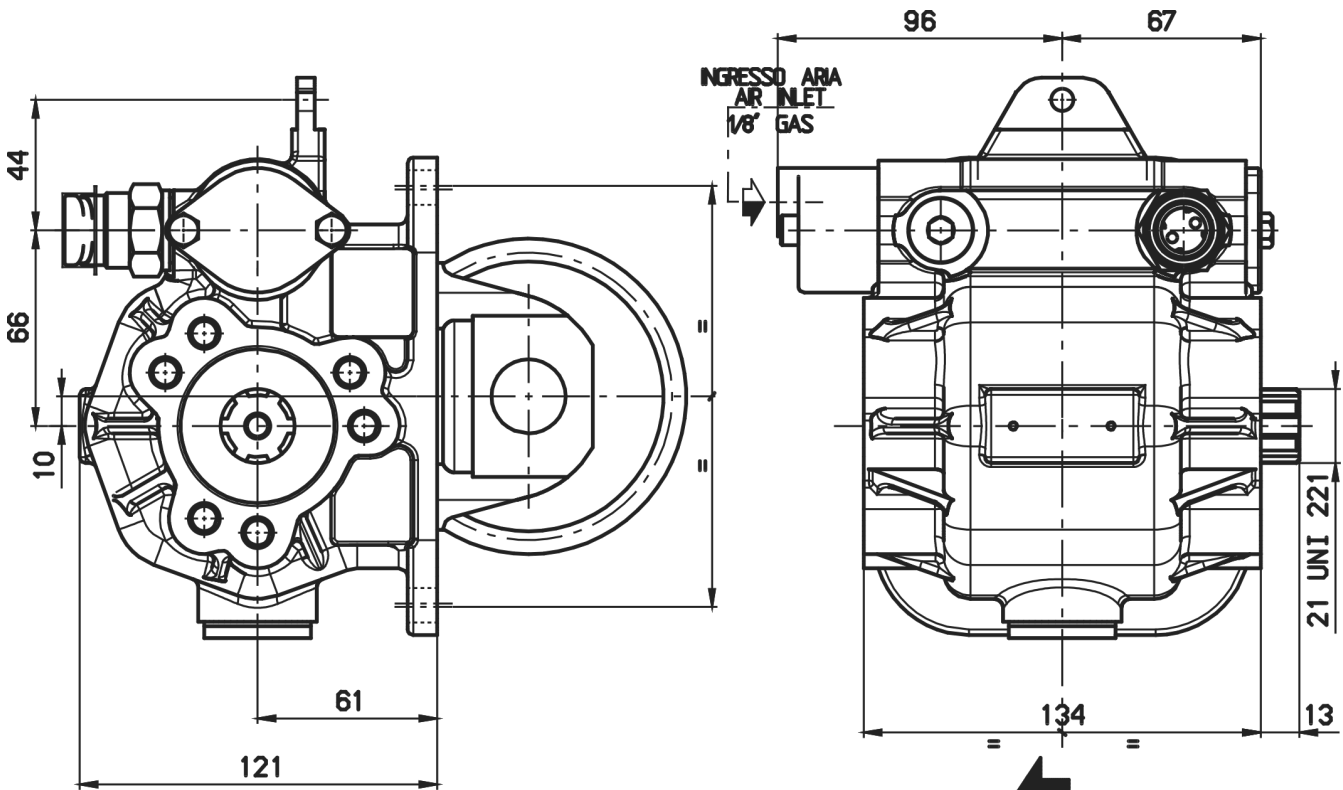
	Output 1	
Torque (Nm)	200	
Int. ratio	1,14	
Number of axles	2	

Number of teeth	32
Module	2,65
Replace	
Replaced by	

22/04/2014

Command type

Electric Hydraulic Mechanical Fixed engagement Pneumatic Vacuum system



SENSO DI MARCIA
VEHICLE MOTION DIRECTION