

# LTWA type Lightweight Hand Pumps

for single-acting jacks

Model number **LTWA-0.7**  
 Lightweight hand pump  
 Usable oil volume (ℓ)

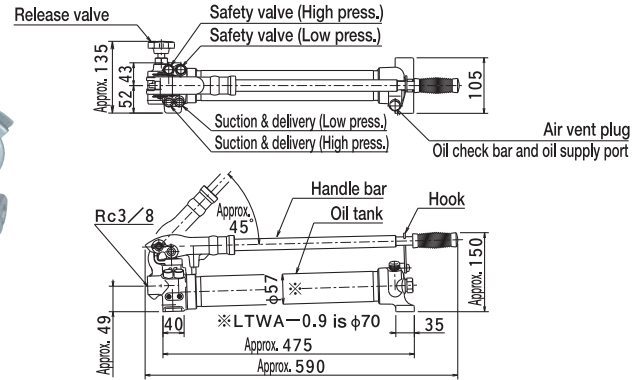
### Features

- Ultralight, rust-resistant construction.
- Sections of the tank that will not be pressurized, the handle socket, stand, and other parts are made of aluminum.



LTWA-0.7

### Dimensional drawing



### Specifications

Model	Items	Usable oil volume (ℓ)	Working pressure (MPa)		Oil delivery (ml/stroke)		Connection port	Weight approx. (kg)
			High	Low	High	Low		
LTWA-0.7		0.7	72	1	2	11	Rc3/8	5.5
LTWA-0.9		0.9						5.9

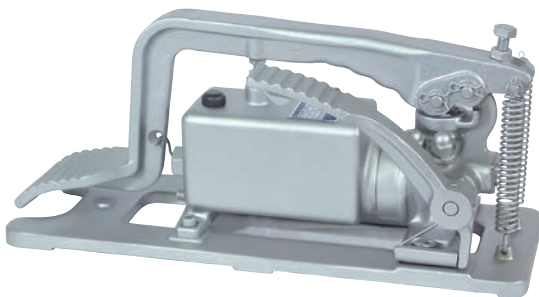
# FPA type Foot Pumps

for single-acting jacks

Model number **FPA-0.5**  
 Foot pump  
 Usable oil volume (ℓ)

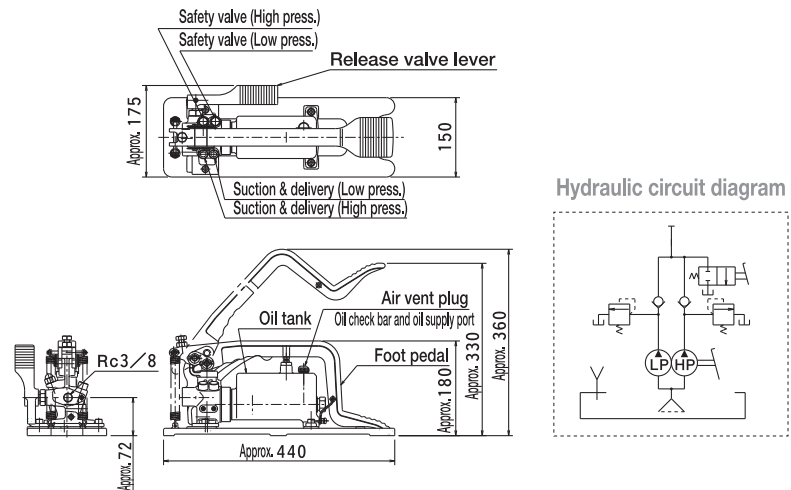
### Features

- Hands-free operation.
- Sections of the tank that will not be pressurized, the handle socket, stand, and other parts are made of aluminum.
- Handle with care. Avoid rough use.



FPA-0.5

### Dimensional drawing



### Specifications

Model	Items	Usable oil volume (ℓ)	Working pressure (MPa)		Oil delivery (ml/stroke)		Connection port	Weight approx. (kg)
			High	Low	High	Low		
FPA-0.5		0.5	72	1	2	11	Rc3/8	7.0