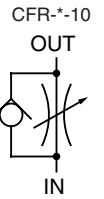




Throttle (and Check) Valve

190 ℓ /min
21MPa



Features

- ① Compact and lightweight, requires very little space for installation.
- ② Special needle valve configuration provides smooth flow rate control.
- ③ Pressure is internally balanced for light handle operation, even at high pressure.

Specifications

Model No.		Nominal Diameter (Size)	Maximum Flow Rate ℓ /min	Cracking pressure MPa{kgf/cm ² }	Maximum Working Pressure MPa{kgf/cm ² }	Weight kg	
Screw Mounting	Gasket Mounting					T Type	G Type
(C)FR-T03-10	(C)FR-G03-10	3/8	30	0.15{1.5}	21{214}	1.3	1.7
(C)FR-T06-10	(C)FR-G06-10	3/4	75	0.1{1.0}		3.0	3.7
(C)FR-T10-10	(C)FR-G10-10	1 1/4	190			5.6	5.8

● Handling

- ① The control flow rate is increased by counter clockwise (leftward) rotation of the flow rate control handle.
- ② The control flow rate does not become zero even if the handle is fully turned.
- ③ There is no pressure or temperature compensation mechanism.
- ④ Bi-directional restriction is possible when there is no check valve.
- ⑤ Use the table to the right for specification when a sub plate is required.
- ⑥ See the table to the right for installation hex socket bolts. However, bolts are not included for a screw mounting type.

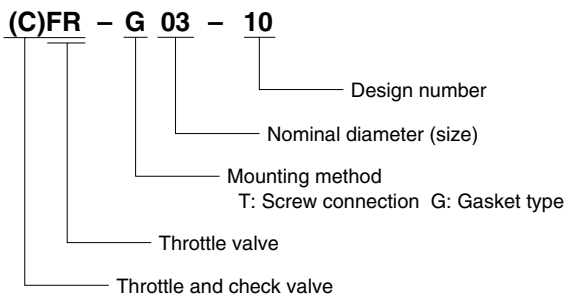
Applicable Pump Model	Bolt Size	Q'ty	Tightening Torque m{kgf·cm}
(C)FR-G03-10	M8 × 65 ℓ	4	20 to 25{ 205 to 255}
(C)FR-G06-10	M12 × 75 ℓ	4	75 to 95{ 765 to 969}
(C)FR-G10-10	M14 × 90 ℓ	4	120 to 150{1220 to 1530}

Note)For mounting bolts, use 12T or equivalent.

● Sub Plate

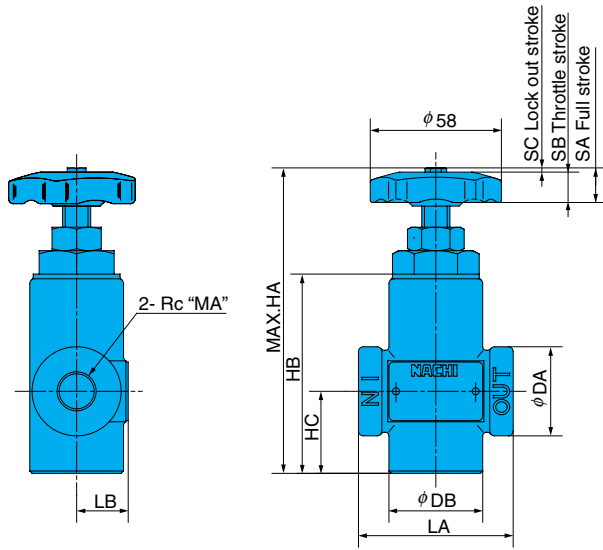
Model No.	Pipe Diameter	Recommended Flow Rate ℓ /min	Weight kg	Applicable Valve Type
MFR-03-10	3/8	30	1.0	(C)FR-G03-10
MFR-06-10	3/4	75	2.2	(C)FR-G06-10
MFR-10-10	1 1/4	190	4.1	(C)FR-G10-10

Understanding Model Numbers



Installation Dimension Drawings

(C)FR-T**-10 (Screw Mounting)

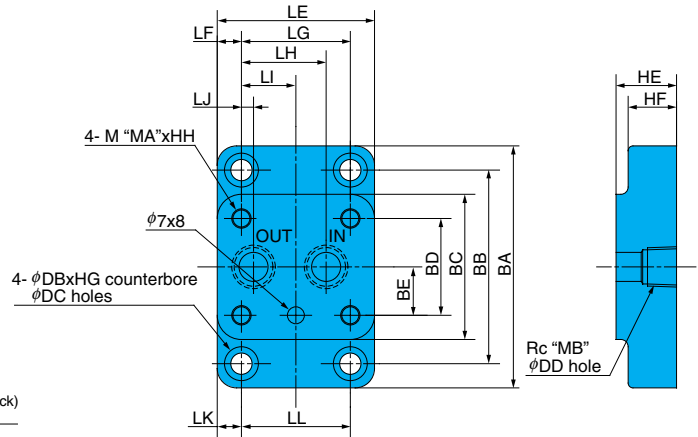
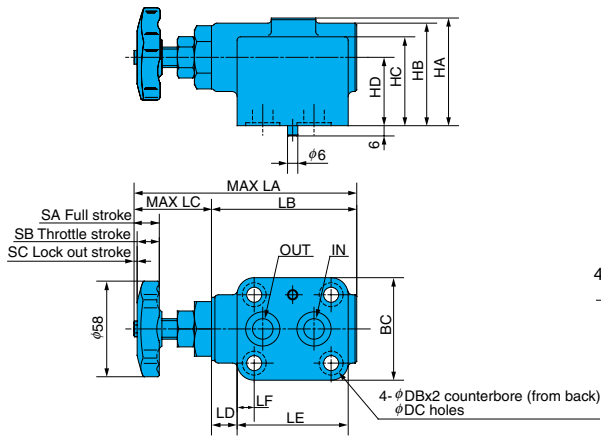


Model No.	LA	LB	DA	DB
(C)FR-T03-10	66	21.5	38	40
(C)FR-T06-10	95	30.5	55	55
(C)FR-T10-10	130	38.5	74	70

HA	HB	HC	SA	SB	SC	MA
130.5	85	35	7	6	1	3/8
175.5	123	55	10	9	1	3/4
206.5	150	70	14	12	2	1 1/4

(C)FR-G**-10 (Gasket Mounting)

Sub Plate MFR**-10



DB	DC	DD	MA	MB	SA	SB	SC
14	8.8	12	8	3/8	7	6	1
20	13	20	12	3/4	10	9	1
23	15	30	14	1 1/4	14	12	2

Model Number	LA	LB	LC	LD	LE	LF	LG	LH	LI	LJ	LK	LL	BA	BB	BC	BD	BE	HA	HB	HC	HD	HE	HF	HG	HH
(C)FR-G03-10	130.5	85	45	15	65	10	45	35	22.5	5	10	45	100	80	60	40	20	63	60	52	40	25	20	8.6	18
(C)FR-G06-10	175.5	123	52	14	96	13	70	55	35	15	14	68	132	106	80	54	27	71	68	57	40	30	25	13	20
(C)FR-G10-10	206.5	150	56	14	120	15	90	72.5	45	17.5	16	88	154	122	90	60	30	83	80	68	45	40	35	15.2	25