

G-type Hydraulic Motor Driven Pump for double acting jack (H)

Model number **GH 1/2 S D**

G-type pump
Horse power
S: Single phase, No mark: 3 phase
N: With port block & pressure switch (In case of separate control valve)
D: With manual control valve & pressure switch
K: With solenoid valve (KSV) & pressure switch (In case of high frequent use)
L: With solenoid valve (OSLV), pressure switch (In case of long hour use)

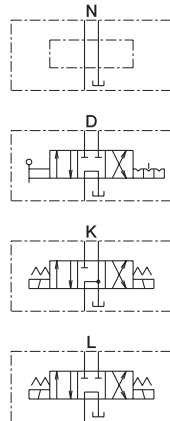
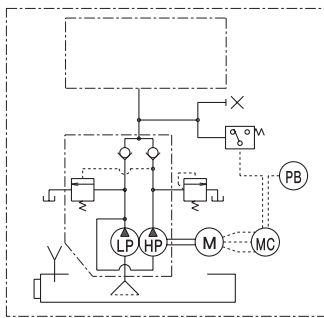


GH1/2-D

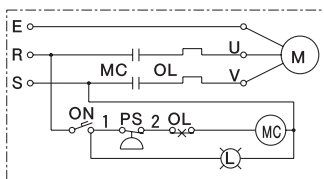


GH1/2-K

Hydraulic circuit

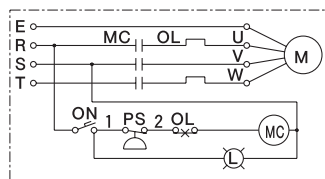


Electric circuit



AC 100V
50/60Hz

Electric circuit

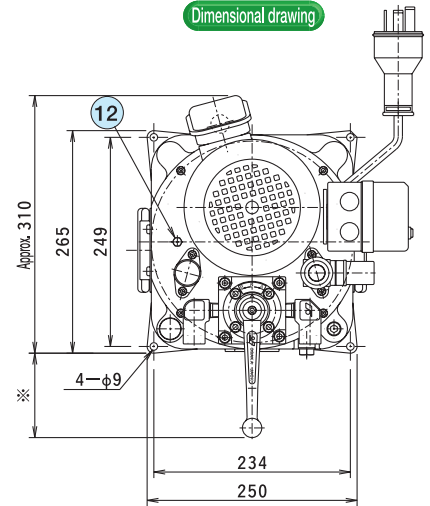


AC 200V 50/60Hz AC 220V 60Hz

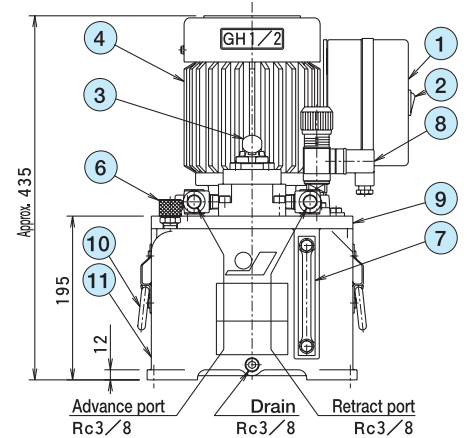
Option

- Pressure gauge PGO63×1000
- Stack valve
- Operation switch
- Foot switch, etc.

Dimensional drawing



※ Dimensional N:0 K:15
D:100 L:60



Parts list

No.	Parts name	Q'ty	No.	Parts name	Q'ty
1	Magnet switch	1	6	Air vent plug (Oil supply port)	1
2	Sea-saw switch	1	7	Oil gauge	1
3	Valve N: Port block D: Manual control K: Solenoid valve (KSV) L: Solenoid valve (OSLV)	1	8	Pressure switch	1
			9	Plate	1
			10	Handle	2
			11	Oil tank	1
4	Motor	1	12	Safety valve	1
5	Pressure gauge (Option)	1			

Specifications

Model	Items	Working pressure (MPa)		Oil delivery (ℓ/min)		Motor (60/50Hz)				Oil (ℓ)		Weight approx. (kg)		Connection port
		High	Low	High	Low	Capa (kW)	Insu	Pole	Rpm	Voltage	Usable	Required	Single ph.	
GH1/2※-N	72	5	0.35 0.29	2.4 2.0	0.4	E	4	1800 1500	Single ph. 220V 3 ph. 380V	5	8	39	40	Rc3/8
GH1/2※-D												40	41	
GH1/2※-K												42	43	
GH1/2※-L												53	54	

Note.1) Figures of delivery and r.p.m. of motor showing at 50Hz in right side, at 60Hz in left side. Note.2) Voltage available on request