

HYDRAULIC HELM PUMPS



DP 30 - 42



DP 63-75-88



DP120



DP160 PUMP & DPS100 WHEEL INSTALLED ON STEERING COLUMN

In manually operated steering systems hydraulic power is created through rotation of the steering wheel which is connected to the shaft of a helm pump. Helm pumps can be either used on small boats with a cylinder only or can be used as an auxiliary or emergency unit to a power operated system on larger vessels.

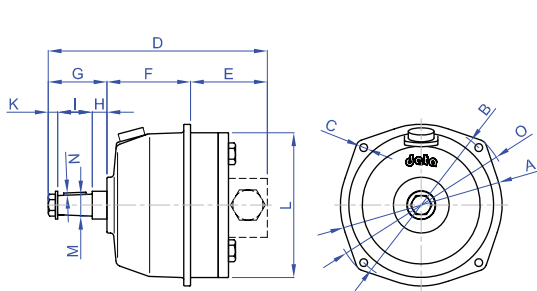
DATA hydraulic helm pumps are available in 8 displacements suitable to fit with various sizes of hydraulic cylinders. Helm pumps are axial piston type and specially designed for marine steering use. CE certificates are available meeting ISO EN10592:2000 standards (excluding DP120, DP160 and DP240).

HYDRAULIC HELM PUMP TECHNICAL SPECIFICATIONS

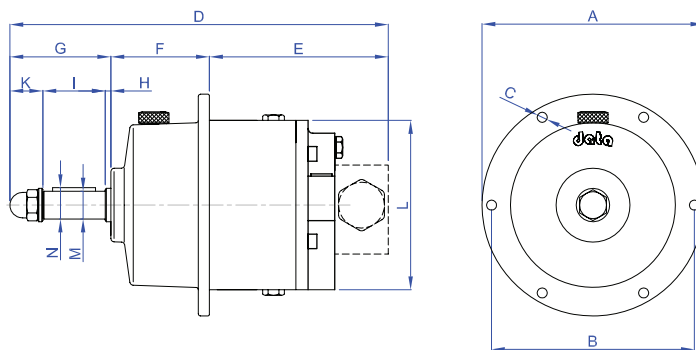
Helm pump type	DP 30 / DP 30K	DP 42 / DP 42K	DP 63 / DP 63K	DP 75 / DP 75K	DP 88 / DP 88K	DP 120 / DP 120K	DP 160 / DP 160K	DP 240 / DP 240K
Pump displacement cm ³ /r	30	42	63	75	88	120	160	240
Recommended cylinder type	DS 50 / DS 70S	DS 50 / DS 70S	DS 150S	DS 150S / DS 290S	DS 290S / DS 460S	DS 460S / DS 660S	DS 660S	
Revs from St.Bd. To Port	4 / 5.4	2.9 / 3.8	5.2	4.4 / 9.1	7.8 / 13.2	9.6 / 14.6	11	
Design pressure bar	60	60	60	60	60	60	60	60
Hyd. connection ports	BSP 1/4"	BSP 1/4"	BSP 3/8" / 1/2"	BSP 3/8" / 1/2"	BSP 3/8" / 1/2"	BSP 1/2"	BSP 1/2"	BSP 1/2"
Min. tube dimensions (inside) mm	ø10	ø10	ø15	ø15	ø15	ø19	ø19	ø19
Weight kg	6.5	6.5	12.2	10.5	10.5	17	35	35



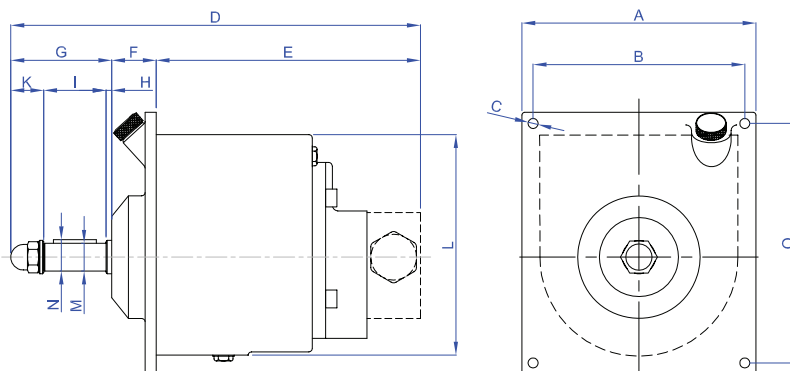
datahidrolik.com



DP 30-42



DP 63-75-88



DP 120-160-240

HYDRAULIC HELM PUMP DIMENSIONS (mm)

Pump type	A	B	C	D	E	F	G	H	I	K	L	M	N	O
DP 30/30K/42/42K	145	146	7	197	69	75	53	13	31	9	130	19,6/2,38	2/5	160
DP 63/63K/75/75K/88/88K	200	182	9	340	160	89	91	5	56	30	152	25,3	28,2/6,6	-
DP 120/120K	210	190	9	368	237	40	91	5	56	30	195	25,3	28,2/6,6	215
DP 160/240	260	240	9	398,5	216	55	127,5	32,5	70	25	287	30	33/8	320

FEATURES

- Designed for heavy duty use.
- Integrated valve system and oil reservoir for self air bleeding and balancing.
- Suitable to use with balanced and unbalanced cylinders (except DP30/42).
- Stainless steel shaft (DP30/42 bronze shaft).
- Marine grade cast aluminium body (die cast for DP30/42/63/75/88).
- DP30/42/63/75/88 are painted with semi gloss epoxy enamel black (RAL 9005).
- DP120/160/240 are painted with high gloss epoxy enamel white (RAL 9016).

OPTIONS

- Integrated non return valve (designated with K, not available for DP160 and DP240).