

Journal Jack

Model number

JJ-25-13

Journal jack

Capacity (ton)

Stroke (cm)

Journal Jacks are available as screw jacks having outstanding feature of overall stability and durability.



Features

- Journal jacks with forging gear apply a great forces and good engagement.
- Ratchet handle is designed for engagement both wheel and plunger, which are called "Wedge principle". Journal Jacks have also Good durability & stability.

Application

- For jack-up, jack-down (lifting up and down for heavy load)
- For positioning adjusting and support heavy load, and structures
- For bridge works • For shipbuilding works or repair
- For construction or building works • For support of heavy load

Journal Jack with traversing bed

All kinds of Journal Jacks except for JJ-100 ton are designed for inserting for traversing bed . That means Journal Jacks can use together with traversing bed. Length of traverse is available for 300mm & 450mm. Usable traversing bed (option) in each model are as below spec list. When placing order, contact to us. See page 68 on use of traversing beds.

- * Traversing bed is required when lateral travel of loaded jack is needed.
- * Usable grease: Daphne Eponex Grease EP No.1 or equivalent

Journal Jack with traversing bed



1000kN Journal Jack

This jack is worm gear jack type.

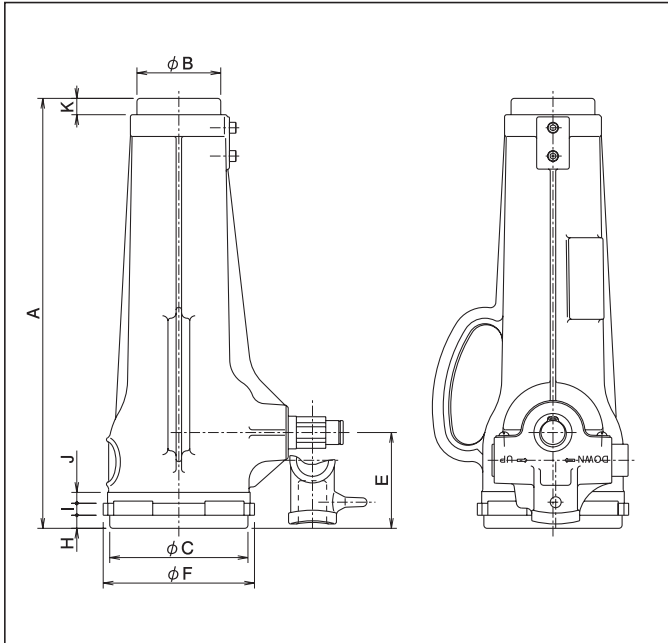


Specifications

Model		Low lift					Medium lift					High lift		
		Unit	JJ-1513	JJ-2513	JJ-3513	JJ-5013	JJ-10011	JJ-1015	JJ-2525	JJ-3020	JJ-3525	JJ-5025	JJ-2533	JJ-3535
Capacity	kN(tf)	150(15)	250(25)	350(35)	500(50)	1000(100)	100(10)	250(25)	300(30)	350(35)	500(50)	250(25)	350(35)	500(50)
Stroke	mm	125	125	130	130	105	150	250	200	250	250	330	350	350
Closed height (A)	mm	255	255	280	290	310	280	395	350	410	445	485	535	555
Head diameter (φB)	mm	63	77	87	105	127	65	77	95	87	105	77	87	105
Basic diameter (φC)	mm	113	127	147	166	235	108	127	148	147	166	127	147	166
Weight approx.	kg	12	16	24	31	75	12	21	26	32	42	25	37	47
Operating torque	N·m	420	700	1000	1400	1000	250	700	850	1000	1400	700	1000	1400
Handle bar		φ25×600L	φ25×700L	φ32×700L	φ32×800L	φ32×1500L	φ25×600L	φ25×700L	φ25×700L	φ32×700L	φ32×800L	φ25×700L	φ32×700L	φ32×800L
Traversing bed (option)	Items	TB-1530	TB-2530 TB-2545	TB-3530 TB-3545	TB-5030 TB-5045	—	TB-1030	TB-2530 TB-2545	TB-3530 TB-3545	TB-3530 TB-3545	TB-5030 TB-5045	TB-2530 TB-2545	TB-3530 TB-3545	TB-5030 TB-5045
	Length of traverse	mm	300	300 450	300 450	300 450	—	300	300 450	300 450	300 450	300 450	300 450	300 450

Journal Jack

Dimensional drawing

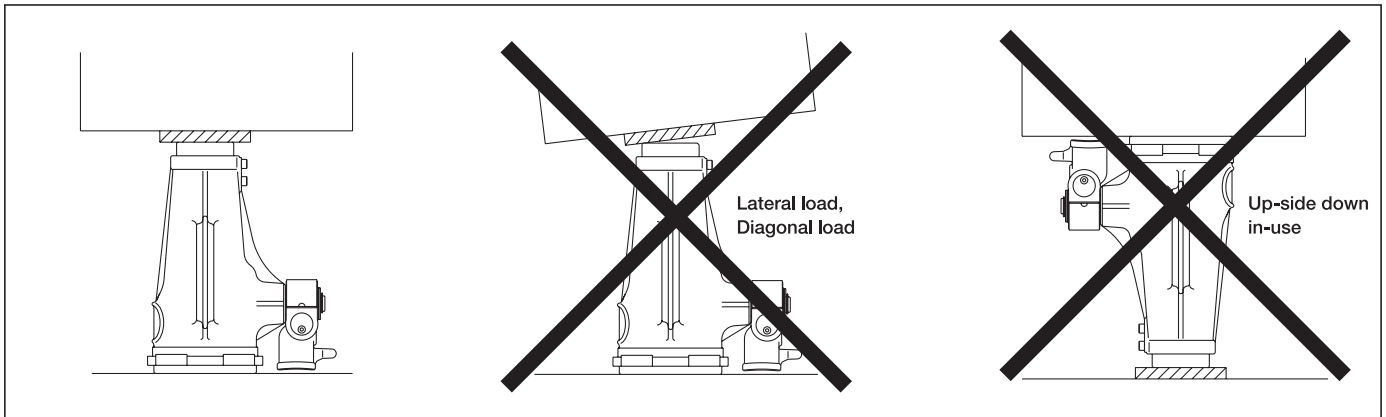


Dimension chart

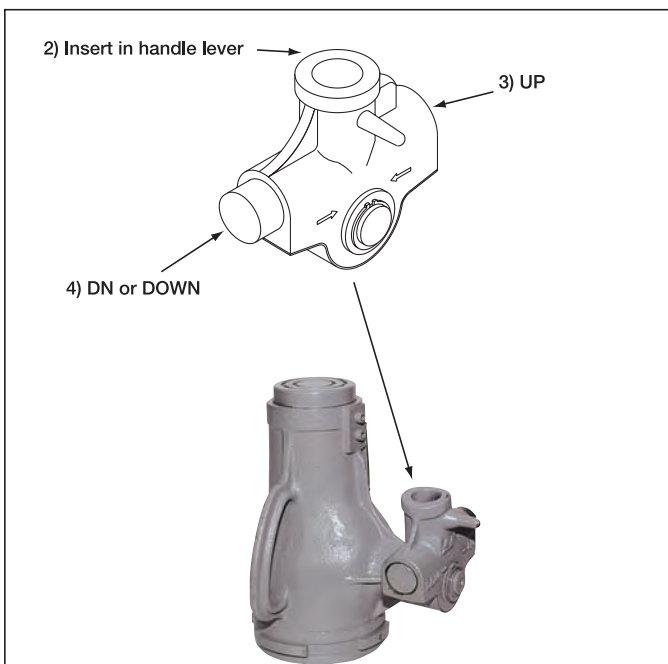
(Unit: mm)

Model		E	F	H	I	J	K
Low lift	JJ-1513	77	127	9	10	10	15
	JJ-2513	88	139	12	11	10	15
	JJ-3513	103	161	12	12	15	18
	JJ-5013	106.5	183	14	15	16	18
Medium lift	JJ-1015	75.7	120	8	11	10	15
	JJ-2525	88	139	12	11	10	15
	JJ-3020	99	161	12	12	10	15
	JJ-3525	103	161	12	12	15	18
High lift	JJ-5025	106.5	183	14	15	16	18
	JJ-2533	88	139	12	11	10	15
	JJ-3535	103	161	12	12	15	18
JJ-5035	106.5	183	14	15	16	18	

How to use



* Do not use in up-side down or pulling force.



How to operate

- 1) Apply loads vertically and overall in the center of gravity of load.
- 2) Make sure to insert the handle lever into the bottom of ratchet handle. Incomplete insertion of handle lever leads to slipping off during operation.
- 3) Before using the jack for lifting, push the liner of the ratchet handle to "UP" position and operate the handle lever up and down.
- 4) Before using the jack for lowering, push the liner of the ratchet handle to "DOWN" or "DN" position and operate (carefully) the handle lever up and down.
- 5) Take care always to stabilize load when jacking up and down.