

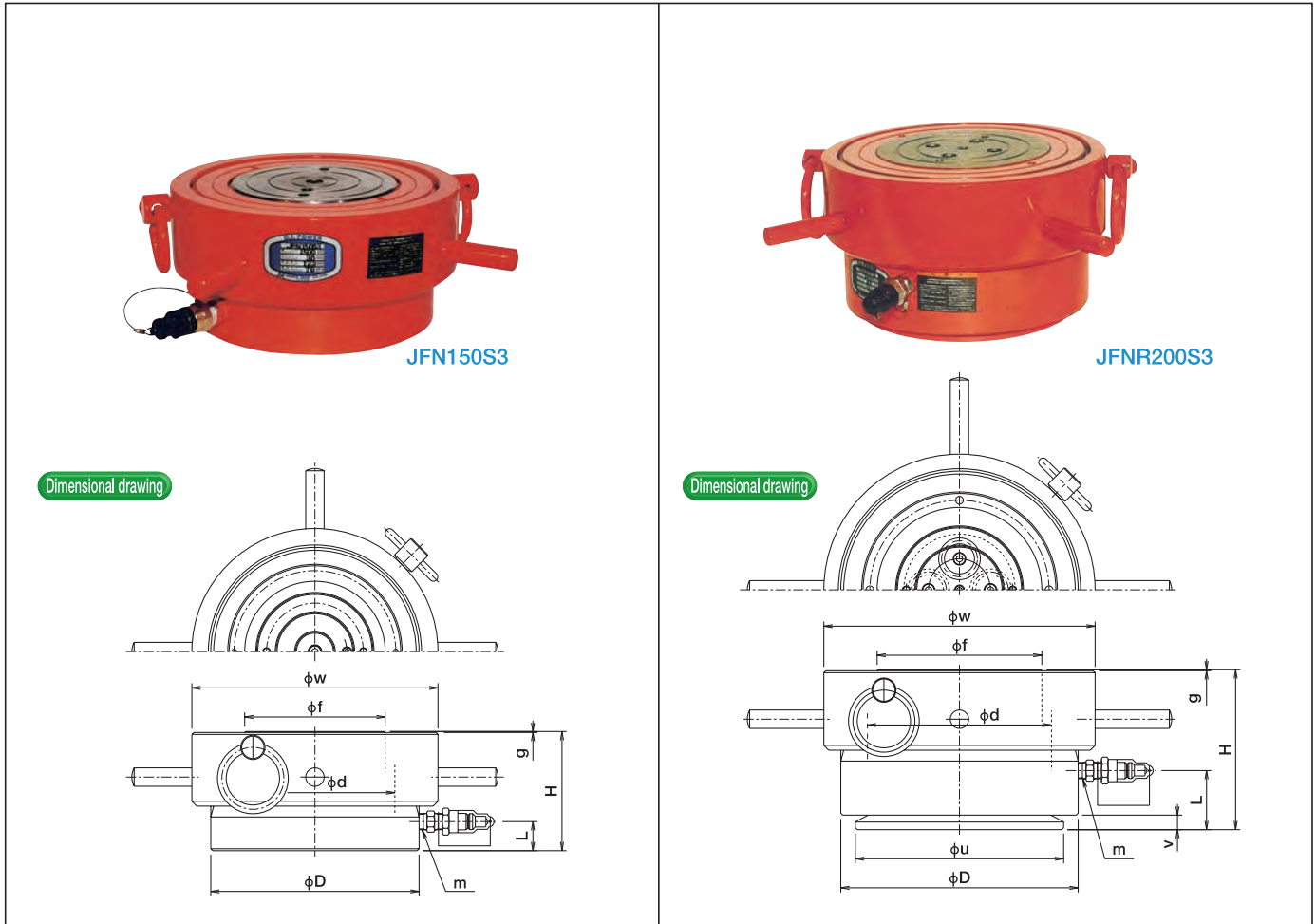
JFN type Low Profile Jack with Safety Nut

S (Spring return) type

Model number	JFN	R	100	S	3
JFN type					
R: With swivel head No mark: Without swivel head					
Capacity (ton)					
Spring return (S)					
Stroke (cm)					

Features

- This jack can be used for replacement of shoes laid on between bridge grid of railway bridge and high way bridge.
- Safety nut is equipped for load holding.
- JFNR types are recommended when using jacks at slant object surfaces.



Specifications

Items	Model Unit	JFN100S3	JFN150S3	JFN200S3	JFN300S5	JFNR100S3	JFNR150S3	JFNR200S3	JFNR300S5
Capacity	kN(tf)	1000(100)	1500(150)	2000(200)	3000(300)	1000(100)	1500(150)	2000(200)	3000(300)
Stroke	mm	30	30	30	50	30	30	30	50
Closed height (H)	mm	106	123	134	200	135	150	165	230
Cyl. outer dia. (D)	mm	175	215	245	305	175	215	245	305
Cyl. bore dia. (d)	mm	135	165	190	235	135	165	190	235
Cyl. effective area	cm ²	143.1	213.8	283.5	433.7	143.1	213.8	283.5	433.7
Oil capacity	mℓ	430	640	850	2200	430	640	850	2200
Weight approx.	kg	25	42	55	125	28	46	63	135
Rod dia. (f)	mm	120	145	170	205	120	145	170	205
Safety nut dia. (w)	mm	205	254	280	356	205	254	280	356
(g)	mm	1	1	1	2	1	1	1	2
(u)	mm	—	—	—	—	150	190	215	260
(v)	mm	—	—	—	—	15	20	15	22
Port size (m)	—	Rc3/8							
Height to coupler (L)	mm	22	23	33	44	47	52	64	72
Pumps applicable	Hand pump	TWA-0.7	TWA-0.9	TWA-1.3	TWA-2.3	TWA-0.7	TWA-0.9	TWA-1.3	TWA-2.3
	Motor driven pump	NEX-2 or GH1/2				NEX-2 or GH1/2			
Included coupler	—	C-6J							
Head inclination degree	—	—				Not more than 3°			