

LJA type Aluminum Jack

S (Spring return) type

Model number

LJA 20 S 5

LJA type

Capacity (ton)

Spring return (S)

Stroke (cm)

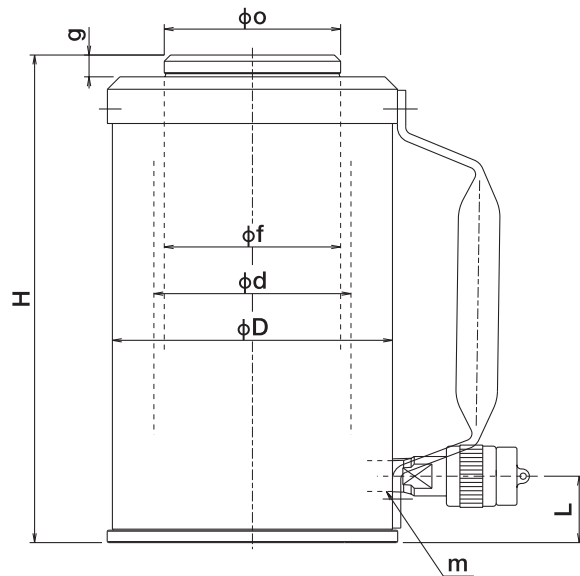
Features

- Main parts such as tube and piston rod are of aluminum and so lightweight compared with steel materials.
- Bottom and corner parts are of steel made.
- Avoid high frequent use and blowout of jack.

Dimensional drawing



LJA30S10



Specifications

Model		LJA20S5	LJA20S10	LJA20S15	LJA30S5	LJA30S10	LJA30S15	LJA50S5	LJA50S10B	LJA50S15
Items	Unit									
Capacity	kN(tf)	200 (20)			300 (30)			500 (50)		
Stroke	mm	50	100	150	50	100	150	50	100	150
Closed height (H)	mm	170	220	270	178	228	283	185	260	294
Cyl. outer dia. (D)	mm	92			108			135		
Cyl. bore dia. (d)	mm	63			75			95		
Cyl. effective area	cm ²	31.17			44.17			70.88		
Oil capacity	mℓ	155	310	470	220	440	665	355	710	1065
Weight approx.	kg	3.8	4.7	5.6	5.5	6.5	8.0	8.5	13	12
Rod dia. (f)	mm	53			65			85		
Saddle dia. (o)	mm	53			65			85		
Port size (m)	—	Rc3/8								
Height to coupler (L)	mm	28			31			32		33
	(g)	9			9			9	22.5	9
Pumps applicable	Hand pump	LTWA-0.7					LTWA-0.9	LTWA-0.7	LTWA-0.9	—
	Motor driven pump	NEX-2								
Included coupler		B-6J								