


TWA type Hand Operated Pump for single (S.G.A) type

Low pressure relief type

Model number	TWA-0.3
Hand operated pump	
Usable oil volume (ℓ)	

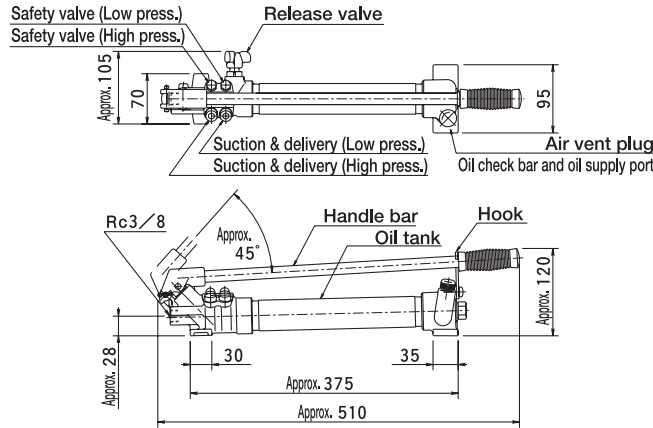
Features


- Pump body is made of special steel and having enough pressure resistant.
- High and low pressure, two stage oil output
- Use this pump with horizontal and contact us when using with other uses.



TWA-0.3

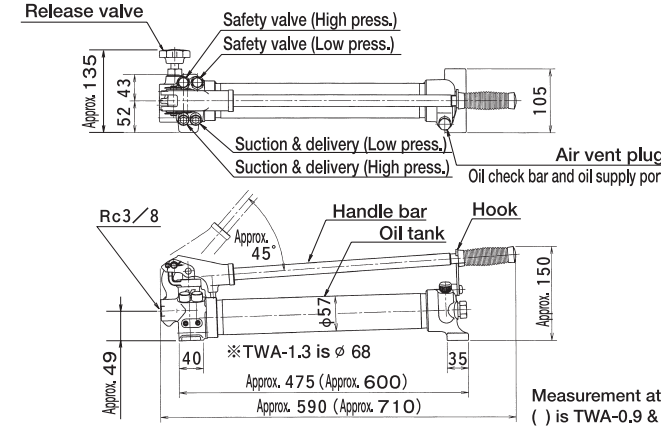
Dimensional drawing



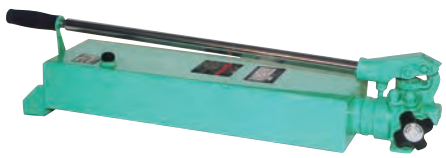


TWA-0.7

Dimensional drawing

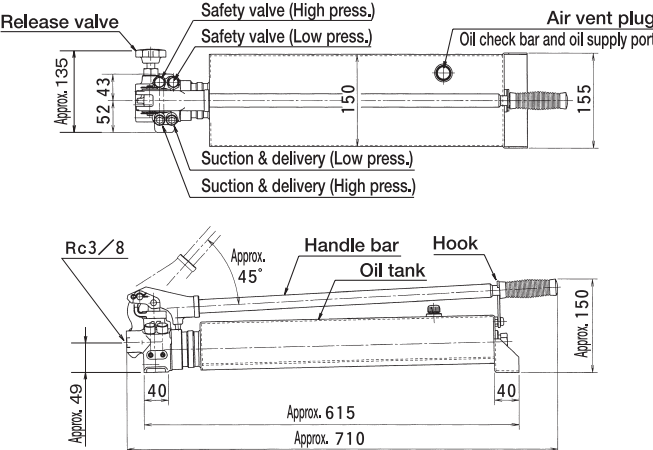


Measurement at () is TWA-0.9 & TWA-1.3 (Same).

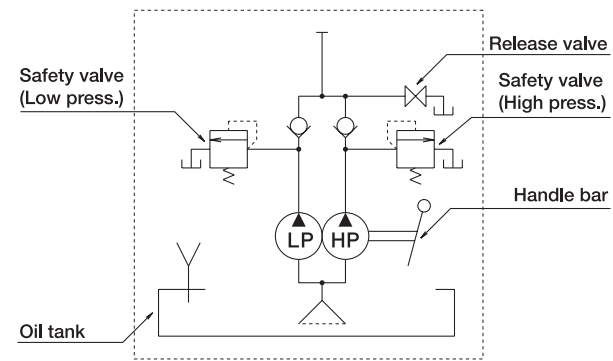


TWA-4

Dimensional drawing



Hydraulic circuit



Specifications

Model	Items	Usable oil volume (ℓ)	Working pressure MPa		Oil delivery (mℓ/stroke)		Connection port	Weight approx. (kg)
			High	Low	High	Low		
TWA-0.3		0.3	72	3	1	5	Rc3/8	3.5
TWA-0.7		0.7			7.0			
TWA-0.9		0.9			7.9			
TWA-1.3		1.3			9.0			
TWA-4		4			2	11		13.2

Note) Use ISO VG10 hydraulic working oil or equivalent oil.