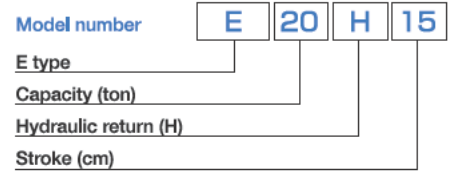


# E type Power Jacks 200kN-300kN

H (Hydraulic return) type



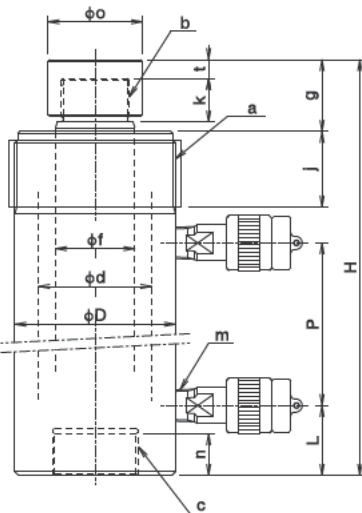
**Features**

- Piston rod is plated with hard chrome.
- Piston rod seal protects against dirt.
- Dust cap included for E20; E30 uses push-in saddle.
- Inverted applications require a fixed saddle.
- Contact us if a screw-on saddle is required.
- Double-acting push & return jack.
- Pulling force is approx. 1/2 of pushing force.
- Metric threads in the base.
- Metric threads on cylinder collar.
- Allowable lateral load is 1/20 of lifting capacity.



E20H15

Dimensional drawing



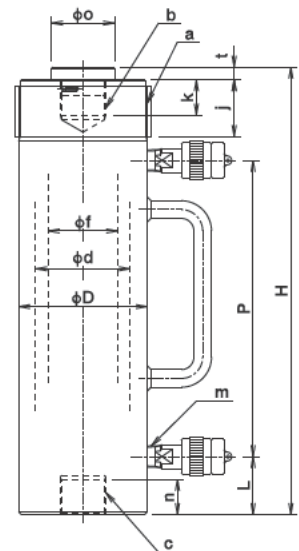
Applicable models

- E20H5
- E20H15
- E20H25
- E20H50



E30H20

Dimensional drawing



Applicable models

- E30H20 (With handle)
- E30H35 (With handle)

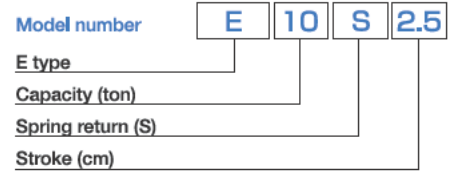
**Specifications**

Items	Model Unit	E20H5	E20H15	E20H25	E20H50*	E30H20	E30H35
		Capacity	kN(tf)	200 (20)			
Pulling force	kN(tf)	100 (10)				140 (14)	
Stroke	mm	50	150	250	500	200	350
Closed height (H)	mm	205	320	420	785	355	510
Cyl. outer dia. (D)	mm	85			88	102	
Cyl. bore dia. (d)	mm	60			65	75	
Cyl. effective area	cm <sup>2</sup>	28.27			33.18	44.18	
Oil capacity	mℓ	142	424	707	1660	884	1550
Weight approx.	kg	7.5	11	14	30	19	27
Collar screw dia. (a)	mm	M85×2				M102×2	
Collar screw length (j)	mm	40				45	
Rod screw dia. (b)	mm	M36×2				M36×2	
Rod screw length (k)	mm	23				28	
Base screw dia. (c)	mm	—	M45×2			M36×2	
Length of base thread (n)	mm	—	22			28	
Rod dia. (f)	mm	42			48	55	
Cap dia. (o)	mm	50					
	(t) mm	10					
	(g) mm	38				—	—
Port size (m)	—	NPT3/8					
Height to coupler (L)	mm	22	37		37	46	
Distance between ports (P)	mm	86	186	286	625	235	390
Pumps applicable	Hand pump	TWAD-0.9			TWAD-2.3	TWAD-1.3	TWAD-2.3
	Electric pump	NEX-2 or GH1/2, GH1					
Included coupler		B-6JG					

Note) Allowable lateral load of model number marked ※ is 1/40 of lifting capacity.

# E type Power Jacks 100kN

S (Spring return) type



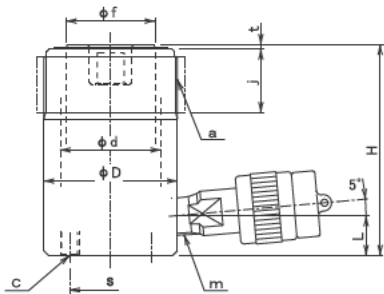
**Features**

- Piston rod is plated with hard chrome.
- Piston rod seal protects against dirt.
- Push-in saddle. Contact us for other saddles.
- Inverted applications require a fixed saddle.
- Metric threads in the base.
- Metric threads on cylinder collar.
- Designed to be lightweight and compact.
- Allowable lateral load is 1/20 of lifting capacity.



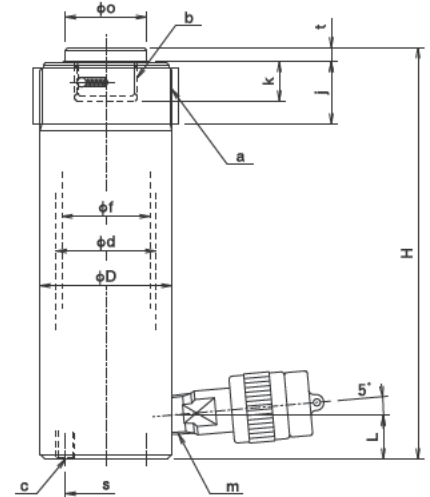
E10S2.5

Dimensional drawing



E10S10

Dimensional drawing



**Applicable models**

- E10S5 E10S10  
 E10S15 E10S20  
 E10S25 E10S30

Coupler is parallel to the base.

**Specifications**

Items	Model Unit	E10S2.5	E10S5	E10S10	E10S15	E10S20	E10S25	E10S30
Capacity	kN(tf)	100 (10)						
Stroke	mm	25	50	100	150	200	250	300
Closed height (H)	mm	90	125	178	250	300	352	407
Cyl. outer dia. (D)	mm	57						
Cyl. bore dia. (d)	mm	43						
Cyl. effective area	cm <sup>2</sup>	14.52						
Oil capacity	mℓ	37	73	146	218	291	363	436
Weight approx.	kg	2.1	2.6	3.3	4.6	5.2	6	6.8
Collar screw dia. (a)	mm	M57×1.5						
Collar screw length (j)	mm	27						
Rod screw dia. (b)	mm	—	M27×2				22	
Rod screw length (k)	mm	—	17		22			
Base screw dia. (c)	mm	2-M8×12L						
(s)	mm	35						
Rod dia. (f)	mm	38						
Saddle dia. (o)	mm	—	35				6	
(t)	mm	2	6					
Port size (m)	—	NPT3/8						
Height to coupler (L)	mm	17	19		21			
Pumps applicable	Hand pump	TWA-0.3 or TWA-0.7			TWA-0.7			
	Electric pump				NEX-2 or GH1/2			
Included coupler		B-6JG						